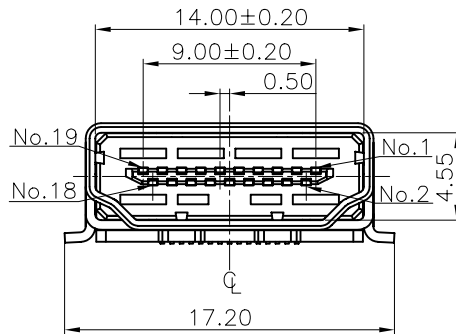
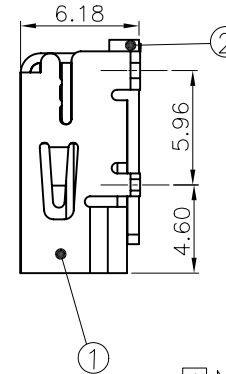
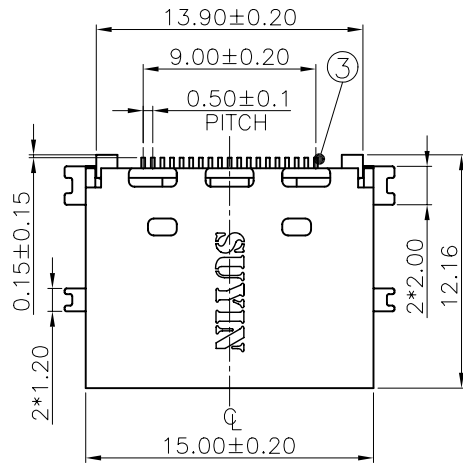




**RoHS Compliant**  
2002/95/EC



**1] NOTES:**

100042MB019S□18ZA  
1

1. Plating

- S1-05u" Min. gold in contact area/  
100u" Min. Tin in solder area.
- S2-Gold flash in contact area/  
100u" Min. Tin in solder area.
- S3-10u" Min. gold in contact area/  
100u" Min. Tin in solder area.
- S4-15u" Min. gold in contact area/  
100u" Min. Tin in solder area.
- S5-30u" Min. gold in contact area/  
100u" Min. Tin in solder area.

**1].Notes:**

SUYIN P/NO.	Product Description
100042MB019SX18ZA	Top without spring.
NOT RELEASE	Top with spring.

NO.	DESCRIPTION	MATERIAL	COLOR	REMARK
3	Terminal	Copper Alloy	—	Gold/Tin Plated Over Ni
2	Housing	High Temp.	Black	UL 94V-0
1	Shell	Metal	—	Ni Plated

**SUYIN**  
CONNECTOR

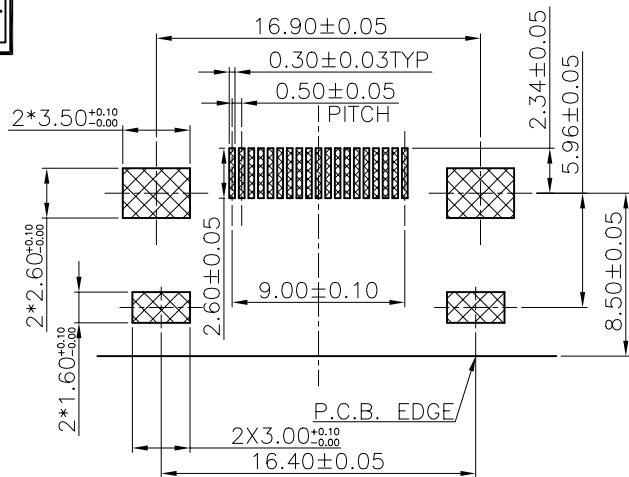
CUSTOMER COPY	TITLE: HDMI Receptacle SMT Type Female Connector Without Flange			
PART NO.		100042MB019SX18ZA		
PRODUCT SPEC.		100042MX019XXXXZX		
FILE NAME.	DWG	100042MB019SX18ZA-C		
SCALE	2.5:1	UNIT:mm	A4	SHEET: 1 of 3

ECN(DCN) NO.	REV	DATE	DESCRIPTION	CHANGE	APPRO.	Angle	±2°	DRAW	李楠	06'/11/29
	0		NEW RELEASE	李楠童俐		30 ~	±0.50	DESIGN	李楠	06'/11/29
			NEW	李楠童俐		10 ~ 30	±0.30	CHECK	鄭冰雨	06'/11/29
	P0	06'/09/03				~ 10	±0.15	APPRO.	童俐	06'/11/29

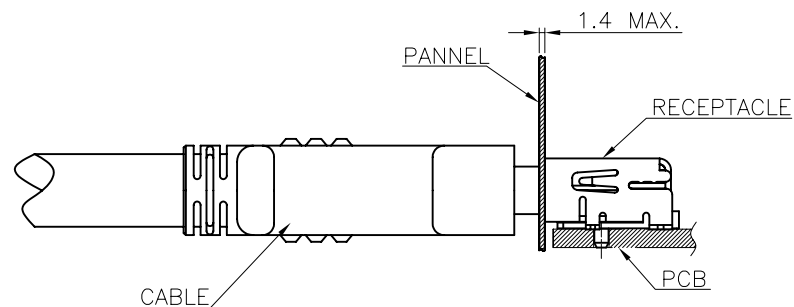
GENERAL TOLERANCE UNLESS OTHERWISE NOTED



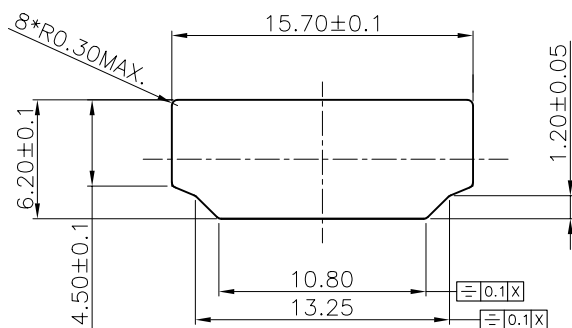
**RoHS Compliant**  
2002/95/EC



RECOMMENDED PCB LAYOUT (THICKNESS=1.6±0.15mm)



REFERENCE MOUNT DIMENSION



REFERENCE PANEL CUT OUT DIMENSION

3	Terminal	Copper Alloy	———	Gold/Tin Plated Over Ni
2	Housing	High Temp.	Black	UL 94V-0
1	Shell	Metal	———	Ni Plated
NO.	DESCRIPTION	MATERIAL	COLOR	REMARK

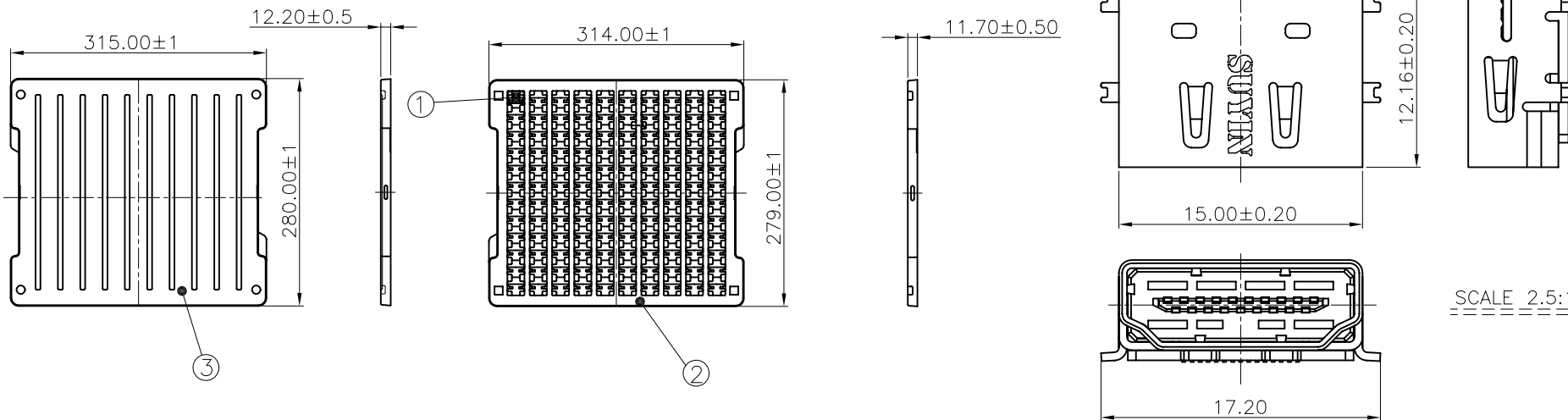
**SUYIN**  
CONNECTOR

CUSTOMER COPY	TITLE: HDMI Receptacle SMT Type Female Connector Without Flange			
PART NO.		100042MB019SX18ZA		
PRODUCT SPEC.		100042MX019XXXXZX		
FILE NAME.	DWG	100042MB019SX18ZA-C		
SCALE	2.5:1	UNIT:mm	A4	SHEET: 2 of 3

					Angle	±2°	DRAW	李楠	06'/11/29
					30 ~	±0.50	DESIGN	李楠	06'/11/29
	0		NEW RELEASE	李楠童俐	10 ~ 30	±0.30	CHECK	鄭冰雨	06'/11/29
	P0	06'/09/03	NEW	李楠童俐	~ 10	±0.15	APPRO.	童俐	06'/11/29
ECN(DCN) NO.	REV	DATE	DESCRIPTION	CHANGE	APPRO.	GENERAL TOLERANCE UNLESS OTHERWISE NOTED	APPRO.		



**RoHS Compliant**  
2002/95/EC  
Process Capable



SCALE 2.5:1

1 Package Information

Part Number	Q'ty per tube
100042MB019SX18ZA	120PCS

NOTE:1.ALL dimensions toerance are:  
±0.30mm unless otherwise specified.  
2.TRAY(BOTTOM):T=0.70mm  
TRAY(Top):T=0.70mm

3	TRAY(TOP)	PVC	TRANS	_____
2	TRAY(BOTTOM)	PVC	TRANS	_____
1	Product	_____	_____	100042MB019SX18ZA
NO.	DESCRIPTION	MATERIAL	COLOR	REMARK

**SUYIN**  
CONNECTOR

CUSTOMER COPY	TITLE: HDMI Receptacle SMT Type Female Connector Without Flange			
PART NO.		100042MB019SX18ZA		
PRODUCT SPEC.		100042MX019XXXXZX		
FILE NAME.	DWG	100042MB019SX18ZA-C		
SCALE	1:8	UNIT:mm	A4	SHEET: 3 of 3

					Angle	±2°	DRAW	李楠	06'/11/29
					30 ~	±0.50	DESIGN	李楠	06'/11/29
	0	NEW RELEASE	李楠童俐		10 ~ 30	±0.30	CHECK	鄭冰雨	06'/11/29
	P0	06'/09/03	NEW	李楠童俐	~ 10	±0.15	APPRO.	童俐	06'/11/29
ECN(DCN) NO.	REV	DATE	DESCRIPTION	CHANGE	APPRO.	GENERAL TOLERANCE UNLESS OTHERWISE NOTED	APPRO.		